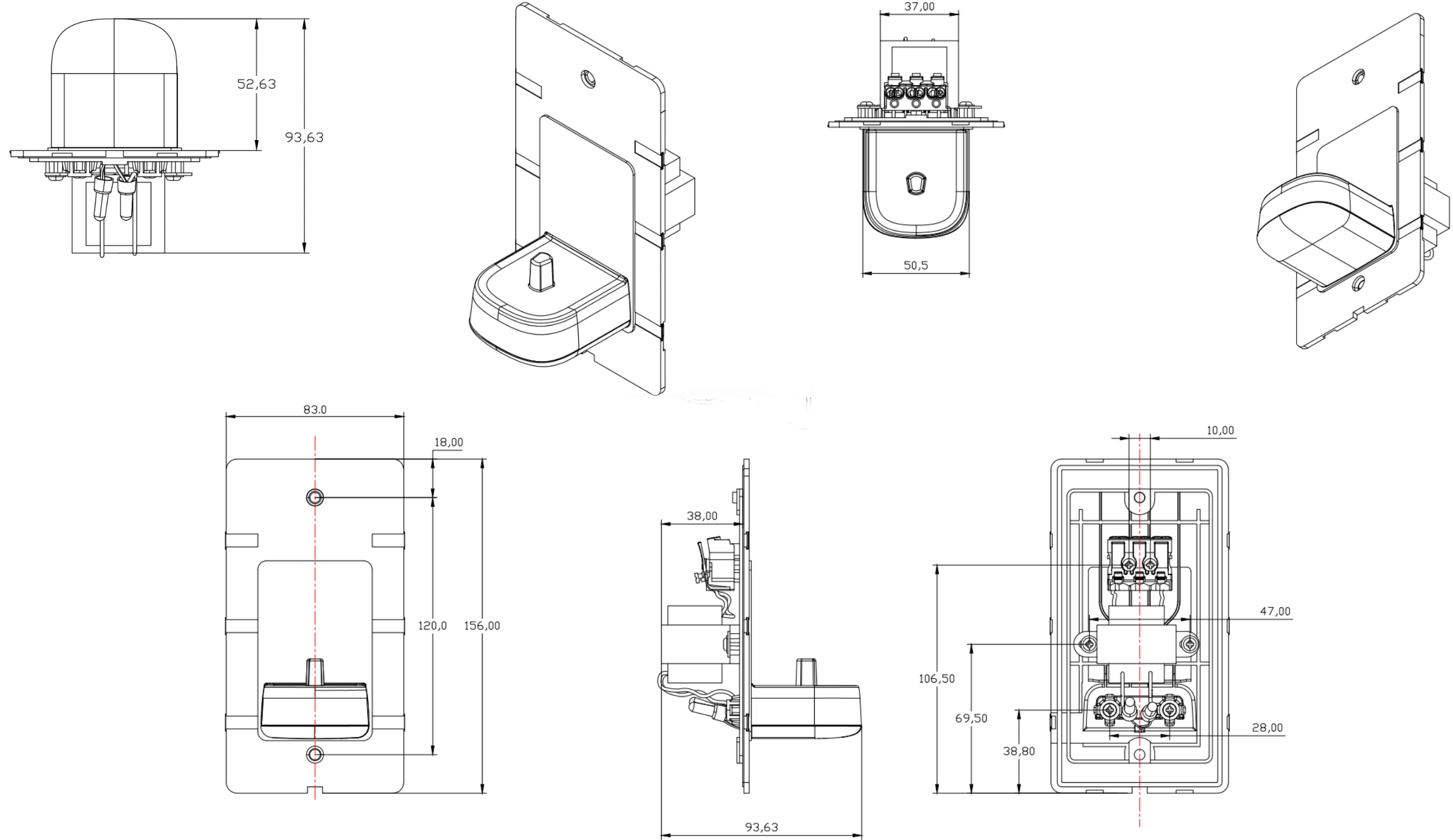


ProofVision PV10 CAD Drawing



V1.0