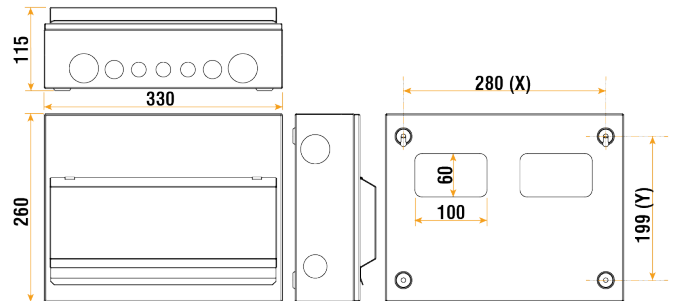


Product Code: CUEB14MSRCDSP6

Description: 14 Way Metal Consumer Unit with 100A Mains Switch + 2 x 80A 30mA RCD + 2 Pole SPD (3+3 Free Ways)



### General Information

<b>Dimensions With Door</b>	330mm (W) x 260mm (H) x 115mm (D)	
<b>Enclosure Dimensions</b>	330mm (W) x 260mm (H) x 92mm (D)	
<b>Fixing Centres</b>	280mm (X) x 199mm (Y)	
<b>Fixing Point Dimensions</b>	Fixing Aperture $\varnothing 6.5\text{mm}$ ( $\varnothing 8.5\text{mm}$ For Key Slot Entry)	
<b>Materials</b>	Enclosure & Cover: Powder Coated Steel DIN Rail: Galvanised Steel	
<b>Finish</b>	White (RAL 9003)	
<b>Rated Operational Voltage (U<sub>e</sub>)</b>	230V~ 50/60Hz	
<b>Maximum Rated Current (I<sub>n</sub>)</b>	100A	
<b>Number Of Ways</b>	Total Ways: 14	Free Ways: 6 (3+3)
<b>Blank Modules Supplied</b>	2 ( Product Code: CU1BLANK)	
<b>Knockouts (mm)</b>	Sides:	1 x $\varnothing 32\text{mm}$ & 1 x $\varnothing 40\text{mm}$
	Top & Bottom:	3 x $\varnothing 20\text{mm}$ , 2 x $\varnothing 25\text{mm}$ & 2 x $\varnothing 40\text{mm}$
	Rear:	2 x 100mm x 60mm
<b>Rated Conditional Short Circuit Current</b>	16kA	
<b>Device Terminal Type</b>	Screwed Lug & Pin	
<b>Mains Switch-Disconnecter Fitted</b>	1 x 100A (CU2MS100)	
<b>Terminal Capacity</b>	35mm <sup>2</sup>	Maximum Torque: 2.5Nm
<b>RCD Fitted</b>	2 x 80A 30mA RCD (CU2RCD80A)	
<b>Terminal Capacity</b>	25mm <sup>2</sup>	Maximum Torque: 2.5Nm
<b>SPD Fitted</b>	1 x 40kA SPD (CU2SPD275)	
<b>Terminal Capacity</b>	35mm <sup>2</sup>	Maximum Torque: 2.0Nm
<b>CPC &amp; Neutral Terminal Type</b>	Screw	
<b>Terminal Capacity</b>	16mm <sup>2</sup>	Maximum Torque: 2.0Nm
<b>Tails Clamp Terminal Capacity</b>	25mm <sup>2</sup>	Maximum Torque: 1.5Nm
<b>Operational Temperature</b>	-5°C to +40°C	
<b>Impact Rating (Indoor)</b>	IK05	
<b>Ingress Protection</b>	IP20	
<b>Humidity</b>	95% Max.	
<b>Warranty (Devices)</b>	3 Years	
<b>Warranty</b>	10 Years	

**Standards** BS EN 61439-3 BS EN 60947-3 BS EN 61008-1 BS EN 61643-1-11